



X Fully screened Category 6A

X Die-cast zinc alloy construction

X Toolless - easy termination

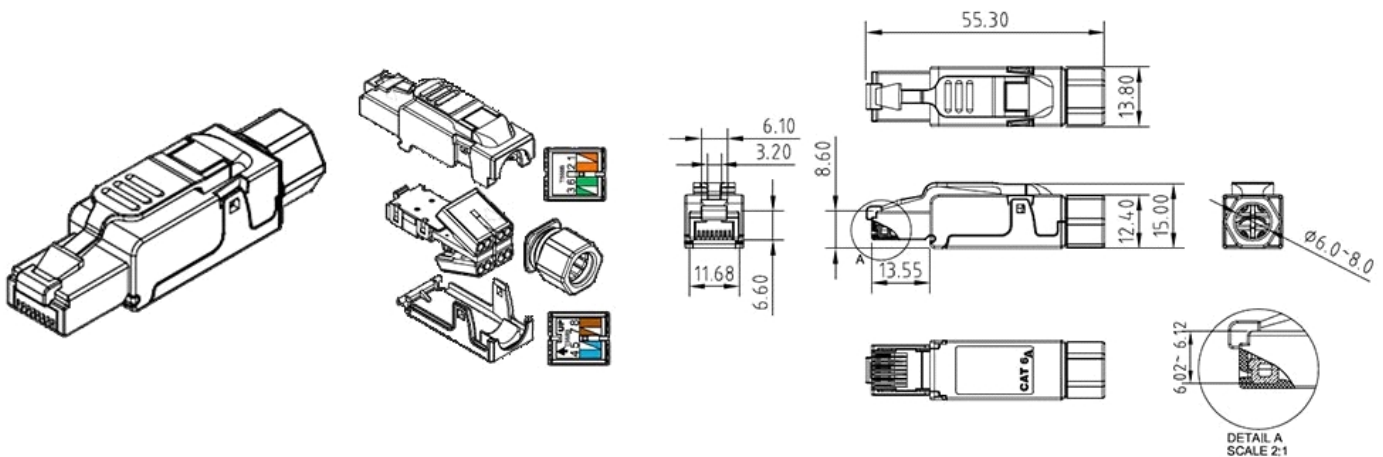
X Supports 10 Gigabit Ethernet

X 25 Year System Warranty available

Features

- Fully screened Category 6A
- Toolless - easy termination
- 25 Year System Warranty available
- Can be re-terminated numerous times
- Die-cast zinc alloy construction
- Supports 10 Gigabit Ethernet
- Independently verified

The Excel Category 6A Screened Field Termination RJ45 Plug offers easy, toolless termination and complies fully with ISO/IEC 11801, Category 6A and ANSI/TIA-568-C.2, Category 6A standards. It offers a fully shielded die-cast zinc alloy, nickel plated body and gold plated phosphor bronze contact pins. Suitable for cable diameters between 6 and 8mm, strain relief is provided by the compression nut on the back of the connector. IDC termination accepts wire gauges from 23 to 26AWG. Performance is independently certified and covered by the Excel 25 year system warranty when installed by an accredited installation partner.



Performance/Specification Table

Specification (patchcord requirements)	ISO/IEC 11801 & ANSI/TIA-568-C.2, Category 6A
Electrical Insulation Resistance	500MΩ @ 100Vdc
Dielectric Withstanding Voltage	1000Vdc or AC Peak
Contact to Contact	1500Vdc or AC Peak
Contact to Shield	60Hz for 1 minute
IDC wire gauge	23 to 26 AWG
Housing material	Zinc Alloy die-cast
Finish	Nickel Plate
Contact Pin	Phosphor bronze, 50 micro-inch Gold plate
IDC	Phosphor bronze, 100 micro-inch 100% Sn alloy

Part No.

Part No.	Description
100-140	Category 6A (FTP) Field Termination RJ45 Plug

System Warranty

The Excel System Warranty provides a 25-year product and applications assurance of compliance with the industry performance standard appropriate to the class of cabling installed. The warranty may be applied for by an accredited Excel Partner who has designed, supplied and installed the said system.



Excel is a world-class premium performing end-to-end infrastructure solution - designed, manufactured, supported and delivered - without compromise.

Contact us at sales@excel-networking.com

